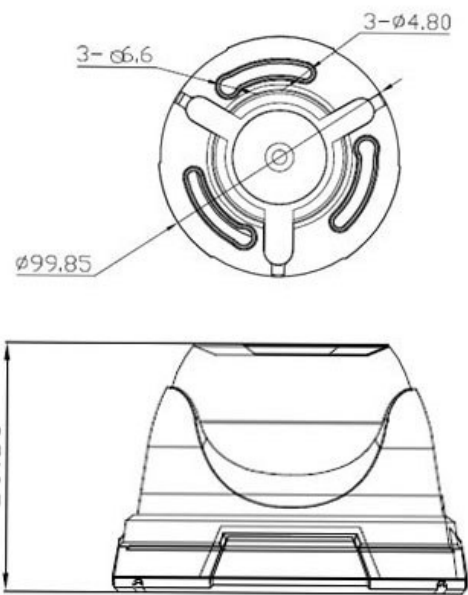


CP- VCG-SD13L2

1.3 MP HD Cosmic IR Dome Camera - 20 Mtr.

COSMIC
HD CAMERA



Main Features

- 1.3 MP HQIS Pro Image Sensor
- 25/30fps@1.3MP
- Day/Night (ICR), AWB, AGC, BLC
- Plug-n-Play HD/SD Camera
- 3.6mm Lens
- Equipped with fine IR LEDs for clearer night vision
- IR Range of 20 Mtr.
- Compatible with HDx, AHD, HDCVI, CVBS and HDTVI DVRs



*Product casing and specifications are subject to change without prior notice

CP- VCG-SD13L2

1.3 MP HD Cosmic IR Dome Camera - 20 Mtr.

COSMIC
HD CAMERA

Feature	Specification
Image Sensor	1.3 MP HQIS Pro Image Sensor
Minimum Illumination	Color(0.1Lux),White and Black(0.01Lux IR LED On)
Shutter Speed	1/50s(1/60s)-1/100,000s (Auto/Fixed)
White Balance	Auto
Gain Control (AGC)	Auto
Lens	3.6mm
Back Light Compensation	Auto
S/N Ratio	≥52dB
Video Output	1.0Vp-p Composite Output (75Ω / BNC), HD-AHD(960P)\ HD-TVI(960P)\ HD-CVI(960P)\ CVBS, CVI Default setting
Resolution	960P
ICR	Support
IR	IR Range of 20 Mtr.
No. of IR LEDs	12pcs
Operating Temperature	-20°C~+55°C
Humidity	10% ~ 90%
Power Source	DC12V(+/-10%)
Power Consumption	0.4W(2.5W after IR LED Powered on)
Dimension	99.85mm x 99.85mm x 69.80mm
Weight	0.15KG